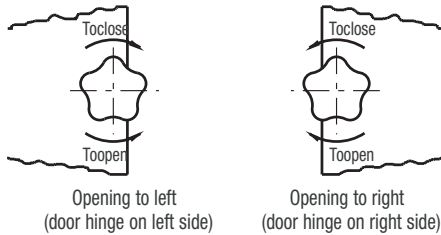


**NEW
ITEM**

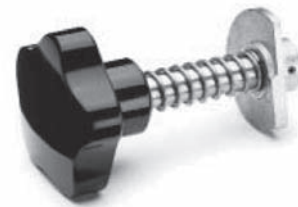
LATCHES PAWL/CAM ACTION

- Easy to grip knob.
- Spring provides even tensioning in applications with vibration.

SPRING LOADED KNOB LATCH



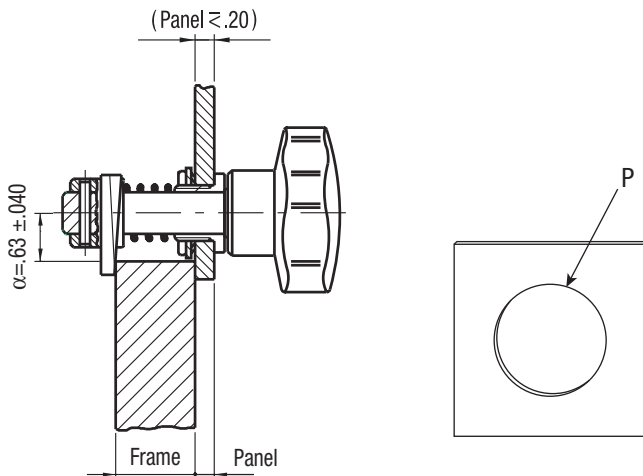
50 mm steel



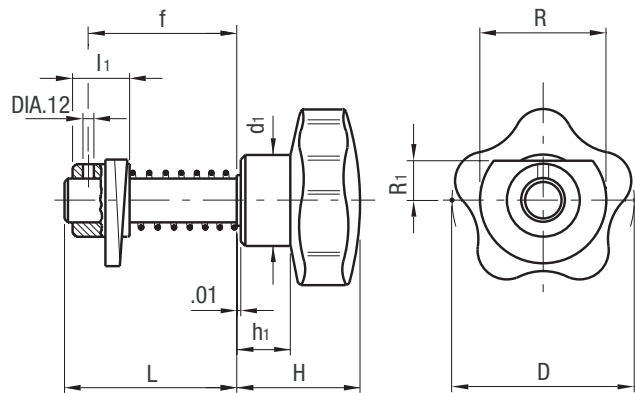
60 mm Stainless steel

STAINLESS
STEEL
AVAILABLE

PANEL PREPARATION



Shown with bushing for use in panels less than 5 mm (.20")



STEP #1: Determine panel and frame thickness. (refer to panel preparation drawing)

For panels less than or equal to 5 (.20")	Panel Preparation "P"	Grip Range (panel + frame)		NOTE: Order bushing
		Min.	Max.	Part Number
	16 (.63")	25 (.98")	28.5 (1.12")	15211

For panels greater than 5 (.20")	Panel Preparation "P"	Grip Range (panel + frame)		No bushing required
		Min.	Max.	
	12 (.47")	13 (.51")	31 (1.22")	

STEP #2: Select and order your latch assembly.

Stainless Steel Part Numbers		Steel Part Numbers		Knob Dimensions				Latch Pawl Dimensions			
Rotation (to open)		Rotation (to open)		D	H	d1	h1	L	R	l1	r1
Left	Right	Left	Right								
68325	68326	68321	68322	50 (1.97")	33 (1.30")	25 (.98")	14 (.55")	46 (1.81")	45 (1.77")	15 (.59")	12 (.47")
68425	68426	68421	68422	60 (2.36")	37 (1.46")	27 (1.06")	17 (.67")	46 (1.81")	45 (1.77")	15 (.59")	12 (.47")