

# LATCHES

## PAWL/CAM ACTION



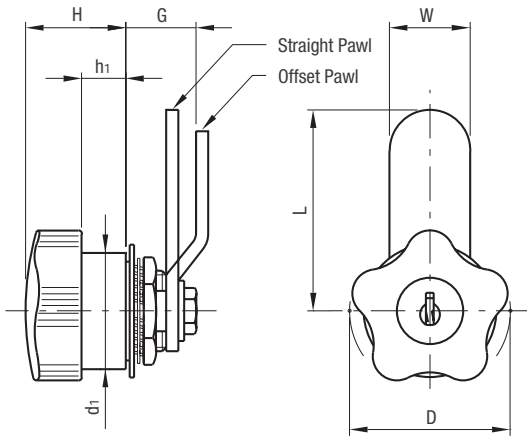
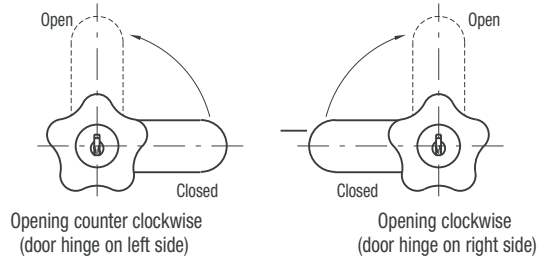
### LOCKING KNOB LATCH

Locking, straight pawl

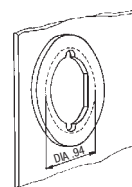
Non-locking, offset pawl



- Easy to grip knob.
- Key locking, variable key codes.
- Right or left hand operation.
- 2 standard grips.

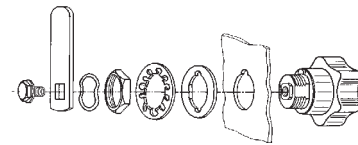
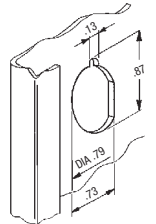


### PANEL PREPARATION



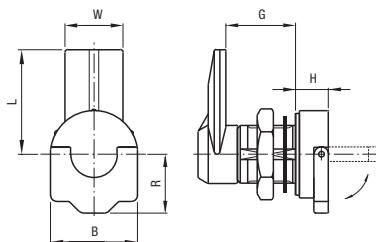
Washer (standard accessory) to be welded to door sheet (when this is too thin for direct fitting) drilling a DIA. 94 hole.

Hole template for direct fitting.



Part Number		Pawl Style	Pawl Rotation (to open)	D	d1	H	h1	G	W	L
Locking	Non-Locking									
68101	68111	Straight	Left	40 (1.57")	29 (1.14")	25 (.98")	11 (.43")	10 (.39")	20 (.79")	50 (1.97")
68102			Right							48 (1.89")
68121	68131	Offset	Left					18 (.70")		48 (1.89")
68122			Right							

### FOLDING HEAD LATCH



- Non-corrosive.
- Meets UL 94 V-0 self extinguishing standard.
- 3 standard grips.

Part Number	B	R	H	G	W	L
421243	30 (1.18")	20 (.79")	11 (.43")	18 (.70")	20 (.79")	32 (1.26")
421245				24 (.94")		
421247				32 (1.26")		