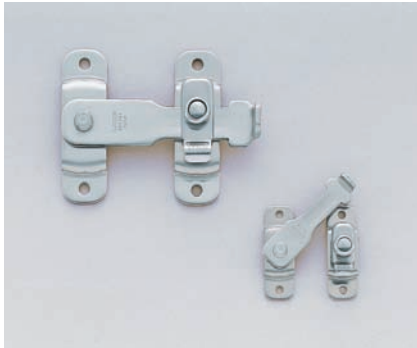
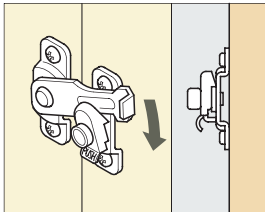
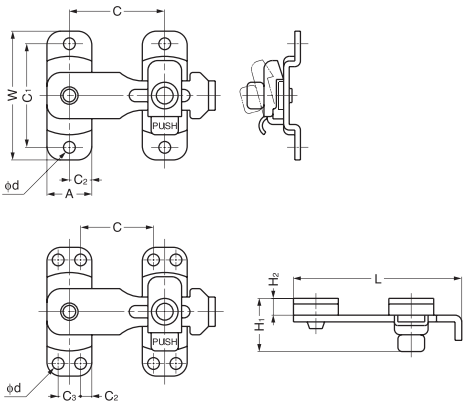


LATCHES

PAWL/CAM ACTION

- Spring action catch secures bar in place for secure closing.
- Push button release to disengage latch.
- 6 sizes available.
- NSF recognized component.

SPRING LOADED BAR LATCH

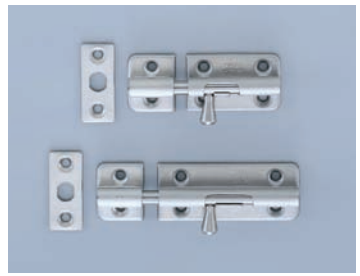
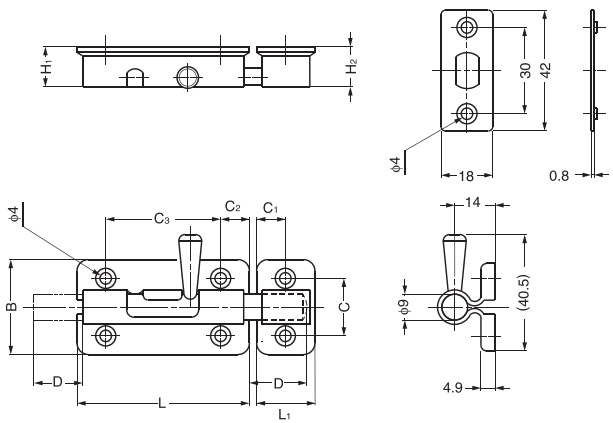


Material: 304 stainless steel
Finish: Polished
Note: Supplied with stainless steel screws

| PART NUMBER | PRIMARY DIMENSIONS | | | | | MOUNTING DIMENSIONS | | | | |
|-------------|--------------------|-------------|--------------|----------------|----------------|---------------------|------------------|----------------|----------------|----------------|
| | L | W | A | H ₁ | H ₂ | C | C _{+/-} | C ₁ | C ₂ | C ₃ |
| BLL-45 | 48 (1.89") | 40 (1.57") | 13 (.51") | 17 (.67") | 4.5 (.18") | 23 (.91") | 3 (.12") | 32 (1.26") | 6.5 (.26") | ---- |
| BLL-60 | 63 (2.48") | 46 (1.81") | 16 (.63") | 20 (.79") | 6 (.24") | 34 (1.34") | 4 (.16") | 37 (1.46") | 8 (.31") | ---- |
| BLL-80 | 85 (3.35") | 65 (2.56") | 20 (.79") | 22.5 (.89") | 7 (.28") | 47 (1.85") | 7 (.28") | 53 (2.08") | 10 (.39") | ---- |
| BLL-100 | 105 (4.13") | 80 (3.15") | 25 (.98") | 26.5 (1.04") | 8 (.31") | 59 (2.32") | 7 (.28") | 66 (2.60") | 12.5 (.49") | ---- |
| BLL-120 | 127 (5.00") | 100 (3.94") | 28.5 (1.12") | 28 (1.10") | 8 (.31") | 56 (2.20") | 10 (.39") | 80 (3.15") | 6.8 (.27") | 15 (.59") |
| BLL-150 | 155 (6.10") | 120 (4.72") | 30.5 (1.20") | 28 (1.10") | 8 (.31") | 74 (2.91") | 14 (.55") | 95 (3.74") | 7.3 (.29") | 16 (.63") |

- Spring action on latch pin forces the pin to the closed position and provides resistance when opening.
- 2 sizes available.
- NSF recognized component.

SPRING LOADED BARREL BOLT



Material: 304 stainless steel
Finish: Satin
Note: Supplied with stainless steel screws. Supplied with surface and mortice keepers.

| PART NUMBER | PRIMARY DIMENSIONS | | | | | | MOUNTING DIMENSIONS | | | |
|-------------|--------------------|----------------|------------|----------------|----------------|-----------|---------------------|----------------|----------------|----------------|
| | L | L ₁ | B | H ₁ | H ₂ | D | C | C ₁ | C ₂ | C ₃ |
| BLS-60 | 60 (2.36") | 25.4 (1.00") | 33 (1.30") | 20 (.79") | 20.4 (.80") | 17 (.67") | 20 (.79") | 12.7 (.50") | 10 (.39") | 40 (1.57") |
| BLS-90 | 90 (3.54") | 25.4 (1.00") | 33 (1.30") | 20 (.79") | 20.4 (.80") | 24 (.97") | 20 (.79") | 12.7 (.50") | 12.5 (.49") | 65 (2.56") |